

Ultra Thin Speaker

Model: OST57R-10P0.5W8X



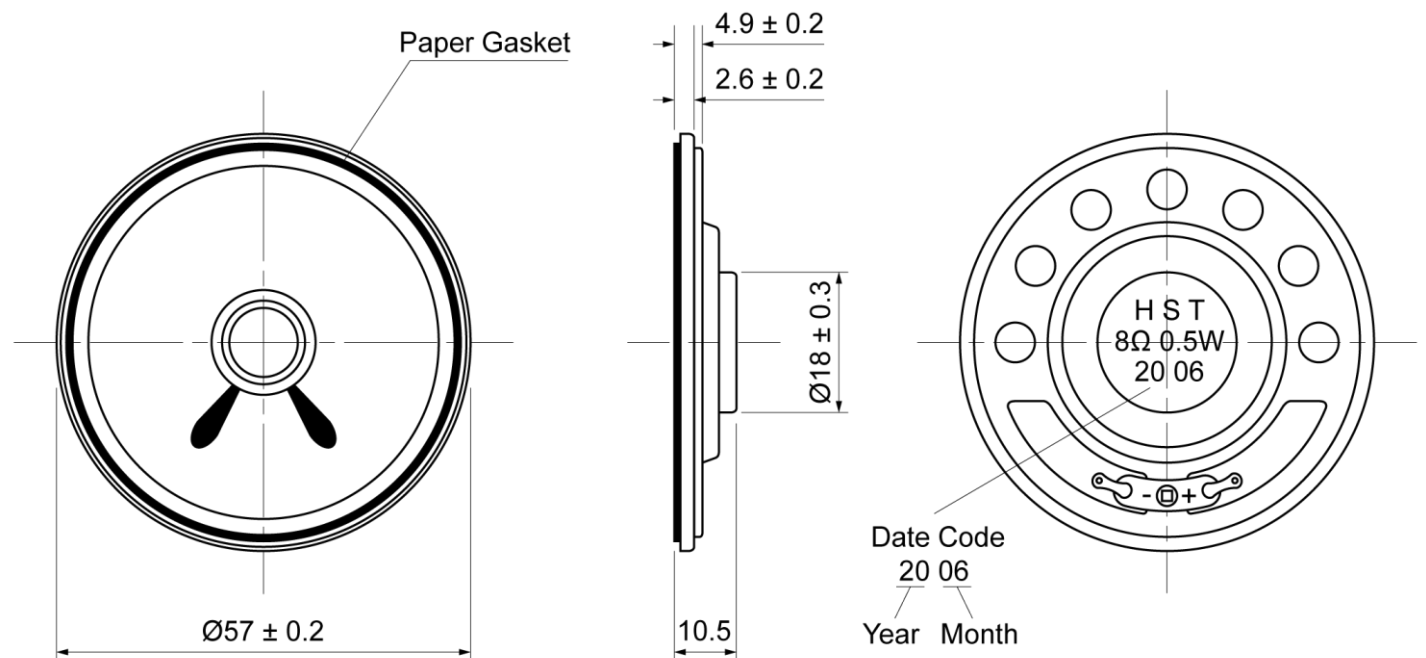
ELECTRICAL SPECIFICATIONS

	Condition	Parameter	Unit
Sound Pressure Level	at 0.1W, 0.1M [at 0.8, 1.0, 1.2, 1.5 KHz]	95 ± 3	dB
Impedance	at 1V, 800Hz	8 ± 15%	Ω
Rated Input Power		0.5	W
Max Input Power		1	W
Resonant Frequency (Fo)	at 1V	420 ± 20%	Hz
Frequency Range		Fo ~ 3000	Hz
Buzzer & Rattles	not be audible at sine wave between Fo ~ 20KHz	2	V
Operating Temperature		-30 ~ 75	°C
Magnet		Nd-Fe-B	
Frame Material		Metal	
Cone Material		Paper	
Weight		19	g

MECHANICAL DRAWING

Dimensions in mm

Tolerance ±0.5mm Except Specified



Ultra Thin Speaker

Model: OST57R-10P0.5W8X

FREQUENCY RESPONSE CURVE

